

# All Weather M3

Outside door  
"PUSH-PULL<sup>PT</sup>" Technology

## EN13241-1 STANDARDS

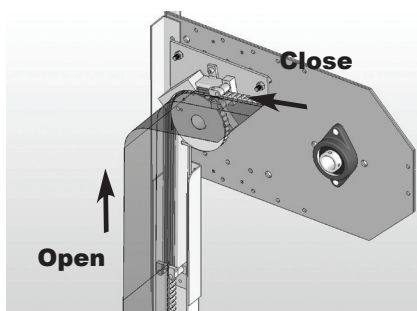
Standard	Ref.	Test acc.	Results
Water permeability	EN 12425	EN 12489	Classe 1
Wind load	EN 12424	EN 12444	Classe 3*
Wind permeability	EN 12426	EN 12427	Classe 1
Safe openings	EN 12453	EN 12445	Pass
Mechanical resistance	EN 12604	EN 12605	Pass
Unintended movements	EN 12604	EN 12605	Pass
Thermal resistance	EN 12428	EN 12428	6,02 W/m <sup>2</sup> K
Performance (cycles):	EN 12604	EN 12605	750 000

\* The indicated class for wind resistance applies for maximum dimensions.

For doors up to W 7.000mm x H 5.500mm: Class 4

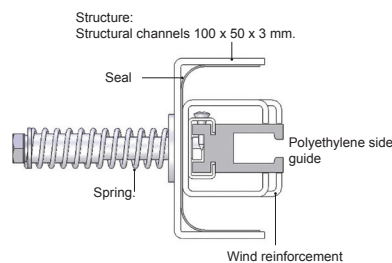
## Characteristics

<b>Max. dimensions</b>	W 8.000 mm x H: 5.500 mm
<b>Opening speed</b>	0,8 m/sec
<b>Closing speed</b>	0,4 m/sec
<b>Structure</b>	Galvanised steel (U channels): 100 x 50 x 3 mm.
<b>Drum</b>	Steel - Ø 140 x 4 mm
<b>Side guides</b>	Polyéthylène (PE-UHMW) with springs
<b>Motor</b>	4 poles, without brake - power: 1,5 kW Frequency inverter - Protection degree: IP 65 Tension: 3 x 220-240V
<b>Control box</b>	DYNALOGIC provided with: Circuit breaker, general divider, Adjustable timer, Push button for opening and reset and emergency stop. Protection degree: IP54
<b>Standard detectors</b>	Infrared barrier: 300 mm from the floor Wireless bottom edge detection system
<b>Power supply - frequency</b>	Single phase 230V - 25 A. - frequency: 50-60 Hz
<b>Available colours</b>	Yellow Orange Red Blue Green Grey White Black RAL 1003 RAL 2004 RAL 3000 RAL 5002 RAL 6005 RAL 7035 RAL 9010 RAL 9005

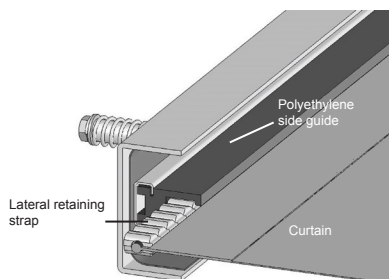


"PUSH-PULL<sup>PT</sup>" Drive technology

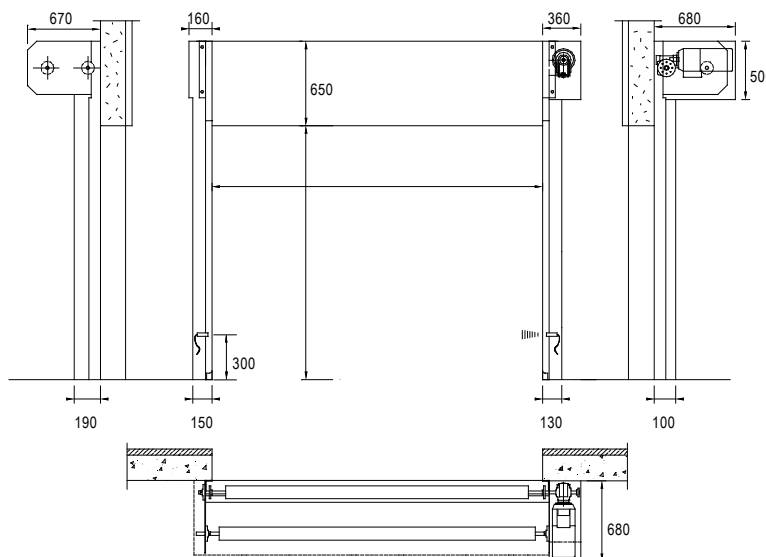
## Measures All Weather M3



Side Guide view



Lateral retaining strap view



All indicated dimensions are net: the space necessary for mounting and maintenance has to be provided. Reduced dimensions: upon request



**DYNACO® Europe NV**

Waverstraat 21

B 9130 Moorsel

Tel. ++32 (0)53 72 98 98

info@dynaco.eu

Fax. ++32 (0)53 72 98 50

http://www.dynacodoor.com

# All Weather M3

Outside door  
"PUSH-PULL"<sup>PT</sup> Technology



The DYNACO All Weather M3 is specifically designed for large sized heavy duty operations in exterior environments with extreme wind loads.

The DYNACO All Weather M3 protects your environments against drafts, humidity, dust and dirt. Our door opens and closes fast, improves your traffic flows and provides employee comfort, environmental control and energy savings.

100 % self repairable, the DYNACO All Weather M3 will automatically reinsert itself in its side guides when the curtain is accidentally hit. The absence of rigid elements in the curtain and its soft bottom edge makes the DYNACO All Weather M3 intrinsically safe.

## Patented "Push Pull"<sup>PT</sup> technology:

Unique door drive system eliminates the need for weighted bottom bars or tension systems.

## Excellent sealing and wind resistance

Patented side frame assembly provides virtually perfect seal while eliminating blade and brush systems.

## Crash forgiving and 100% selfrepairing without intervention

The curtain reintroduces itself automatically after a crash which reduces maintenance and production down time

## User safety:

The absence of stiffeners combined with a flexible curtain that moulds itself protects users.

The curtain is provided with the "WDD" technology, the Wireless DYNACO Detector at the bottom of the door

## Advanced drive:

Smooth operation and reliability provided by a motor without brake and driven by a frequency inverter and an encoder. Wearable elements are reduced to a minimum.

## Dynalogic control box:

Control box with self-diagnosis is user friendly

## Conform to EN13241-1



**DYNACO. THE SAFEST CHOICE**